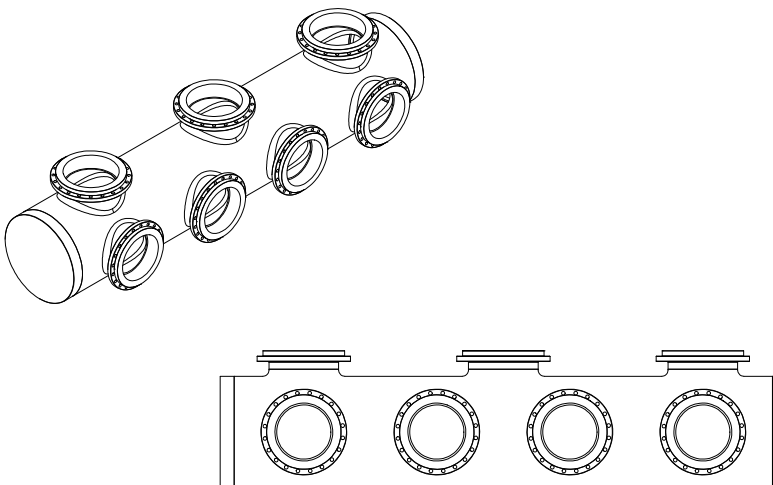


Manifold



SIMONA Stadpipe has its own production facility with highly sophisticated machinery and certified staff. This is where we manufacture manifolds for custom orders and for our own projects. Simple sketches from customers are often all that we need to provide a quote. We create accurate drawings when the products has been ordered. We perform stress analyses of piping systems if the customer wishes.



All our products comply with ISO 9001:2015, NS-EN 12201, NS 416 and NS 9416



- PE 100
- SDR 33-26-17