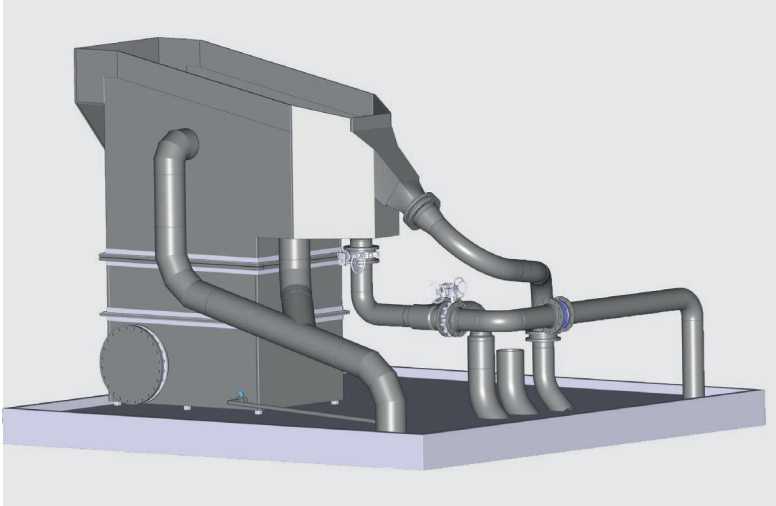


## Fish transport system



The purpose of the fish transport system is to gently transport salmon internally at the facility or to a well boat / car. At the same time, the system will separate and return RAS water from the plant back, and replace it with water from the well boat. The system ensures an even surface and height of the water out to the wellboat, so that the ice is not damaged. The product has gathered what used to be several units into one unit.



All our products comply with ISO 9001:2015, NS-EN 12201, NS 416 and NS 9416



- PE 100 black
- Strain in stainless steel