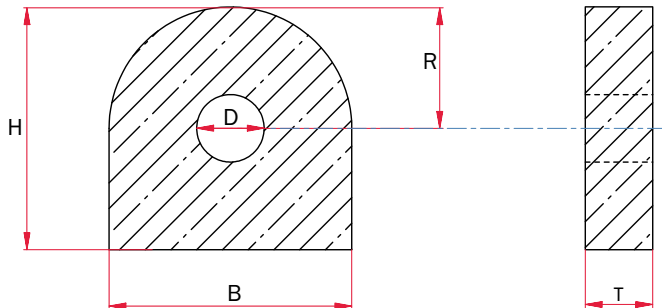


# Lifting lugs



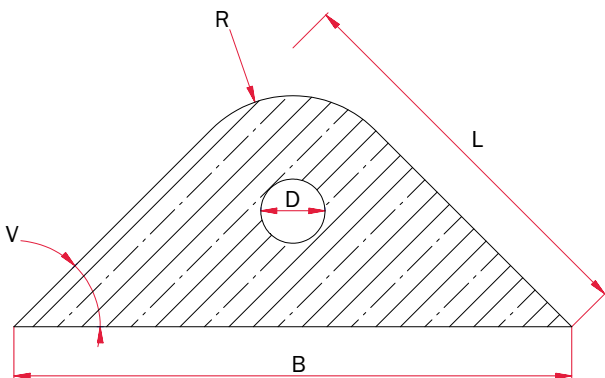
### Tolerances:

A: +-1

PE 100 black

## Type R

Plate thickness T	B	D	H	R	Max. load	Product no.
10	32	10	32	16	100 kg	9331011R
15	52	15	52	26	250 kg	9331512R
20	72	20	72	36	500 kg	9332013R
25	90	25	90	45	750 kg	9332512R
30	108	30	108	54	1000 kg	9333013R
40	144	40	144	72	2000 kg	9334013R
50	180	50	180	90	3000 kg	9335013R



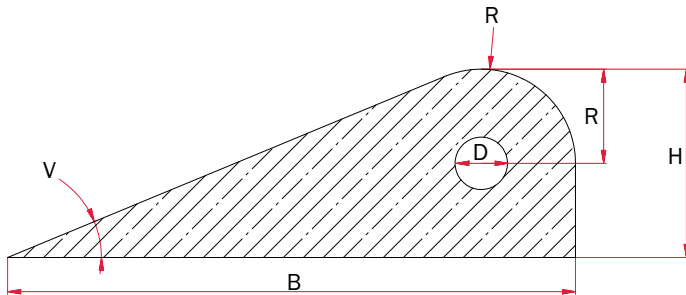
### Tolerances:

A: +-1

PE 100 black

## Type S

Plate thickness T	B	D	H	R	V	L	Max. load	Product no.
10	77	10	32	16	45°	54	100 kg	9331011S
15	123	15	52	26	45°	87	250 kg	9331512S
20	174	20	72	36	45°	123	500 kg	9332013S
25	217	25	90	45	45°	154	750 kg	9332512S
30	260	30	108	54	45°	184	1000 kg	9333013S
40	348	40	144	72	45°	245	2000 kg	9334013S
50	435	50	180	90	45°	307	3000 kg	9335013S



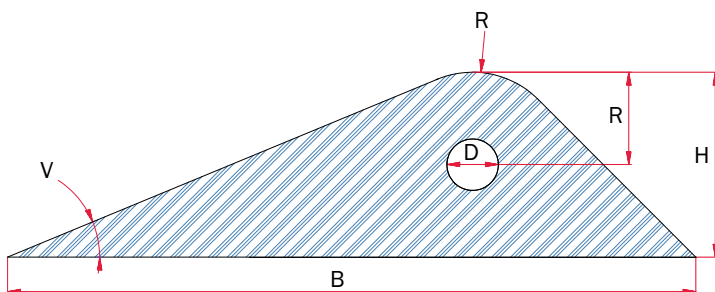
**Tolerances:**

A: +-1

PE 100 black

**Type L**

Plate thickness T	B	D	H	R	V	Max. load	Product no.
10	96	10	32	16	22.6	100 kg	9331011L
15	156	15	52	26	22.6	250 kg	9331512L
20	217	20	72	36	22.5	500 kg	9332013L
25	270	25	90	45	22.6	750 kg	9332512L
30	324	30	108	54	22.6	1000 kg	9333013L
40	434	40	144	72	22.5	2000 kg	9334013L
50	540	50	180	90	22.6	3000 kg	9335013L



**Tolerances:**

A: +-1

PE 100 black

**Type M**

Plate thickness T	B	D	H	R	V	Max. load	Product no.
10	119	10	32	16	22.6	100 kg	9331011M
15	192	15	52	26	22.6	250 kg	9331512M
20	268	20	72	36	22.5	500 kg	9332013M
25	334	25	90	45	22.6	750 kg	9332512M
30	400	30	108	54	22.6	1000 kg	9333013M
40	536	40	144	72	22.5	2000 kg	9334013M
50	668	50	180	90	22.6	3000 kg	9335013M